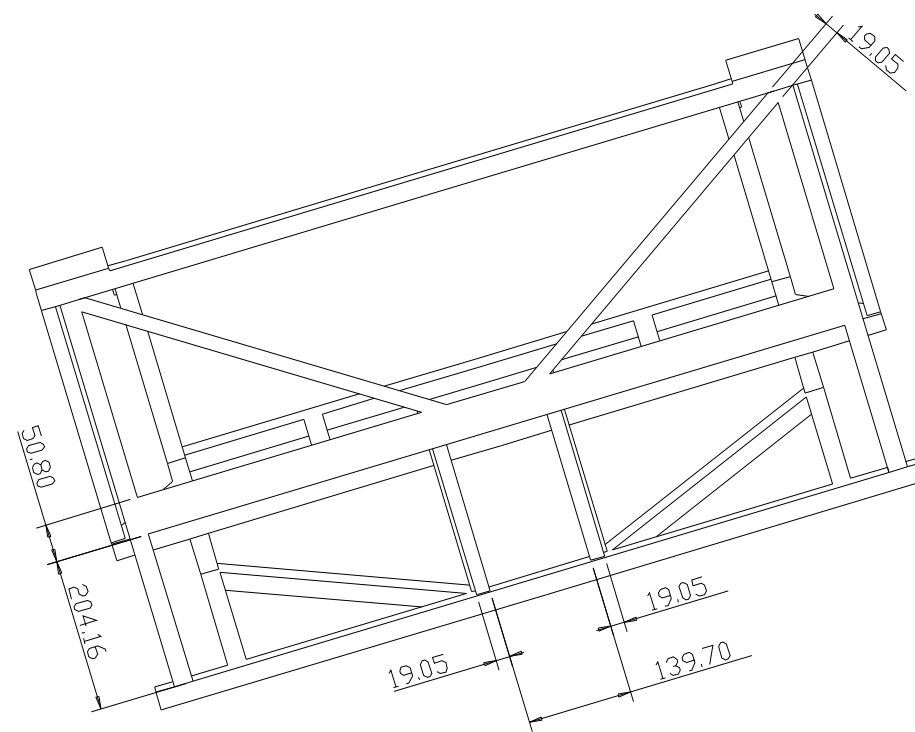
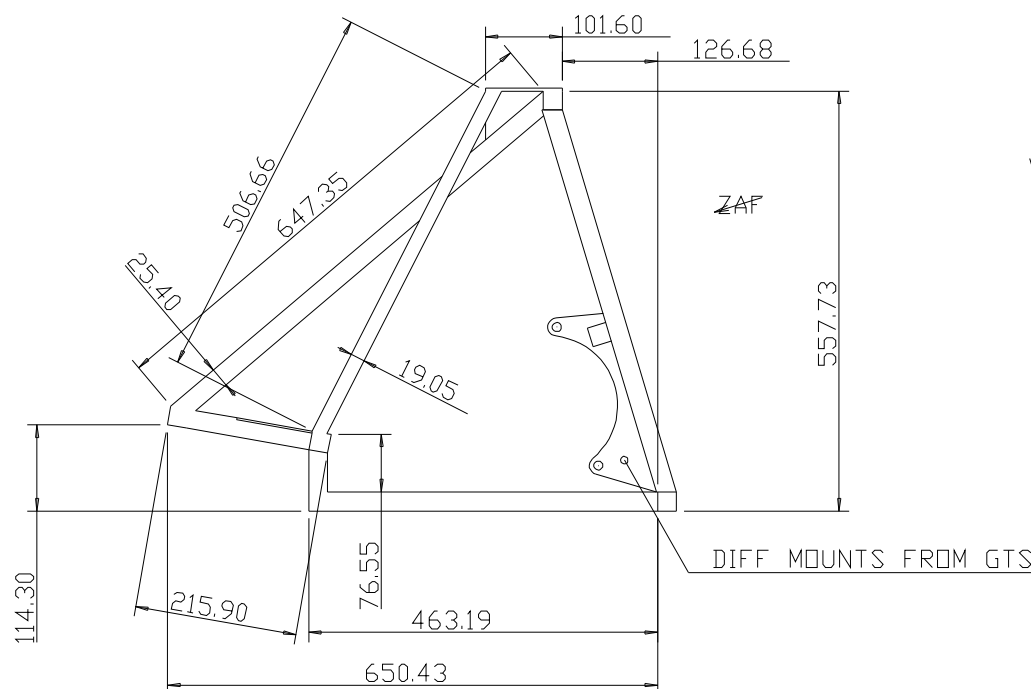
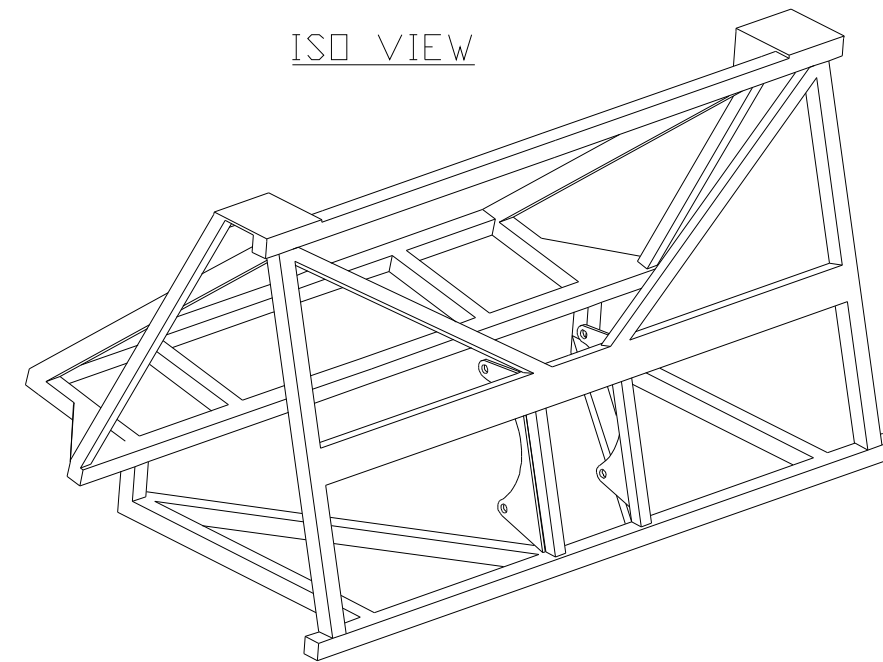
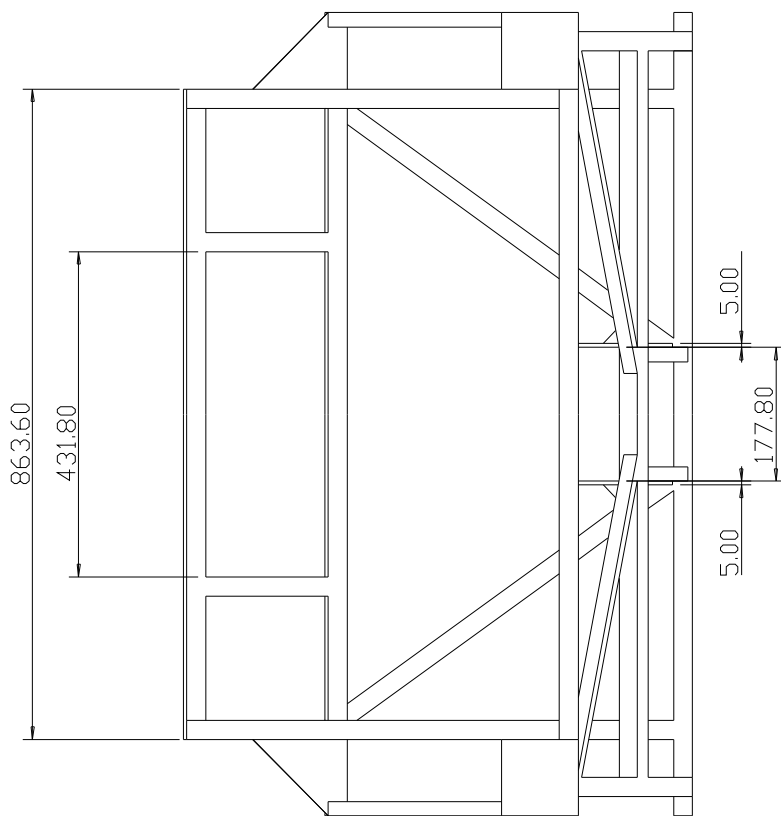
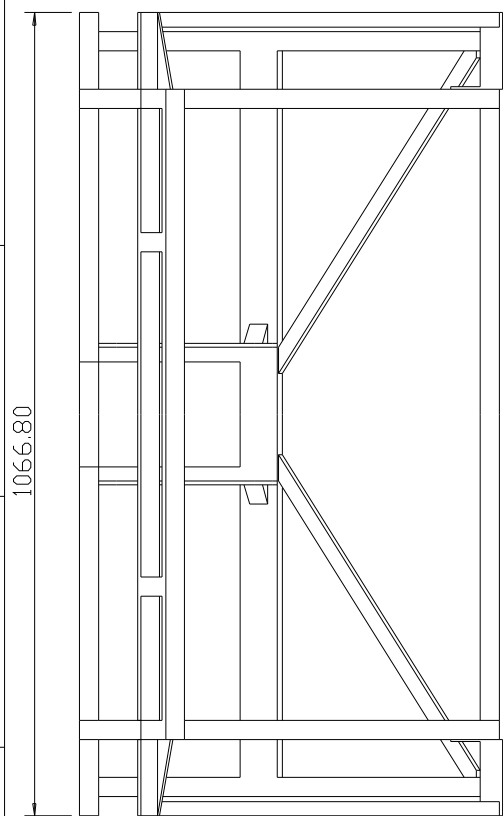


PROJECT . SECTION . NUMBER 2

THIRD ANGLE PROJECTION

ALL PROPRIETARY RIGHTS RESERVED BY GTS TUNING. THIS DRAWING SHALL NOT BE REPRODUCED OR IN ANY WAY UTILIZED FOR THE MANUFACTURE OF THE COMPONENT OR UNIT HEREIN DRAWN AND MUST NOT BE RELEASED TO OTHER PARTIES WITHOUT WRITTEN CONSENT. INFRINGEMENT WILL BE LEGALLY PURSUED.

ISO VIEW



MAX SURFACE FINISH DRILLING, MILLING 1.6µm TURNING, BORING 0.8µm REAMING 0.4µm GRINDING, HONING 0.4µm POLISHING 0.2µm	GEN LIMITS UNLESS STATED NO PLACES DEC ± 1 1 PLACE DEC ± 0.2 2 PLACES DEC ± 0.1 SAND CASTINGS ± 0.75	SCREW THREADS EXTERNAL - METRIC 6g INTERNAL - METRIC 6h IMPERIAL 2B	ALL DIMNS. IN MM UNLESS OTHERWISE STATED.
MATERIAL MILD STEEL	REMOVE ALL BURRS AND SHARP EDGES. ALL CASTINGS, FORGINGS, MOULDINGS TO BE FREE OF POROSITY AND VOIDS. ALL PARTS TO BE FREE FROM SCRATCHES AND VOIDS.	GTS TUNING	
SURFACE PROTECTION		TITLE DE IDON REAR CHASSIS LOCOST GTS	
DRAWN D. GEORGE		SCALE 1:1	QUANTITY 1
LIFED ***		PROJECT . SECTION . NUMBER 2	
DATE 21/11/03		SHEET 1 OF 1	

ISSUE	MODIFICATION	INITIAL	APPROVED	DATE	ISSUE	MODIFICATION	INITIAL	APPROVED	DATE
1					1	First Issue	DPG		21/11/03